



# CONCRETE habitat™

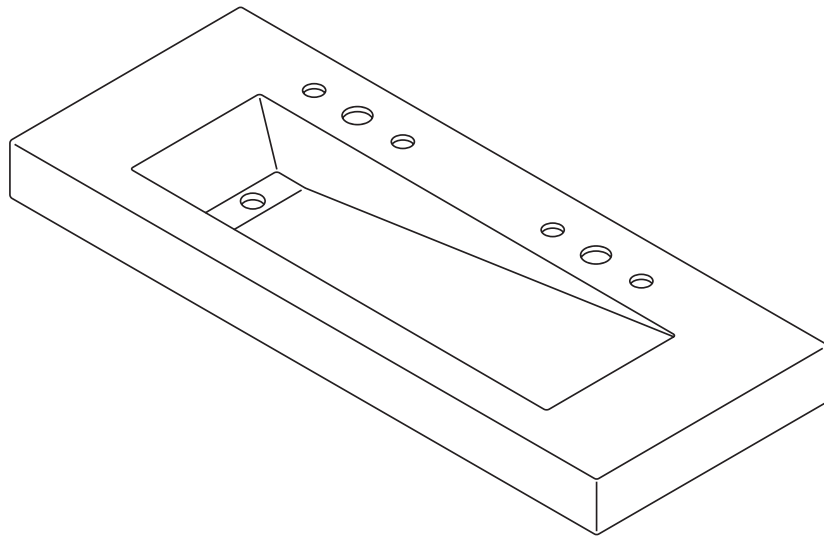


## Slant Sink

Ideal for master bath or commercial vanity applications, this one-piece design can be ordered to slant to the left or right.

### Sink Dimensions:

Depth: 15"  
Length: 43"  
Height: 6"



### Countertop Dimensions:

Thickness: 1.5" or 6"  
Depth: 22.5"  
Lengths: 49.5" / 61.5" / 73.5"

### Standard Sink includes:

3 finished edges  
Two, 3-hole faucet patterns, 4" on center  
Sink will be centered left to right  
Sink is 3 1/2" from the front edge of the surface

### Additional Options:

Back/Side splash (3/4" thick, 4" high)  
Other faucet patterns

**Please use sink worksheet to indicate finished edges and any other changes or additional options.**

*Integral Sinks cast with no overflow. Strainer drain or pop-up must be used.*

### Stocked in limited quantities in the following colors:



Fog



Graphite



Ink



Linen



Mocha



Moss



Riverstone



Sawdust



Concrete habitat™ also produces fireplace surrounds, counter surfaces and tiles.